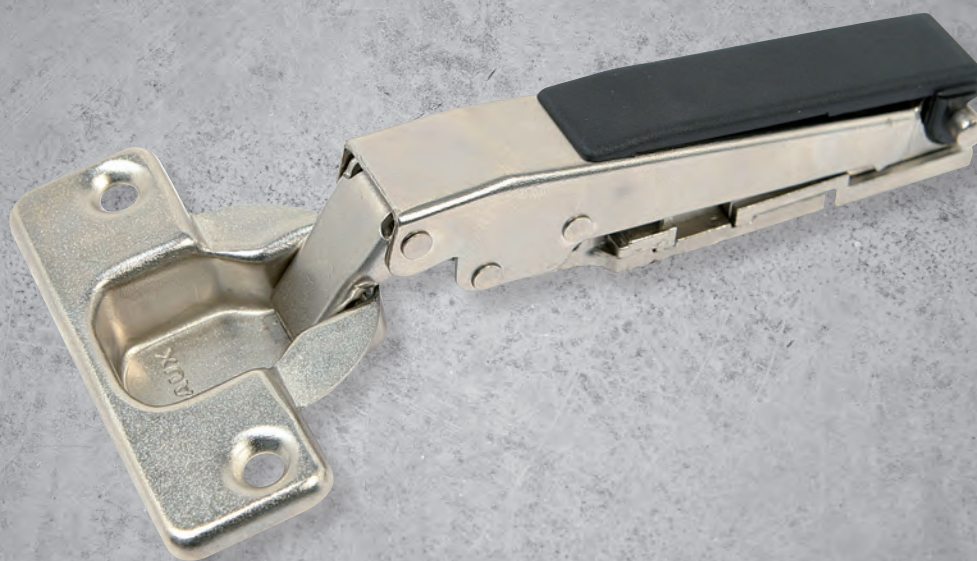


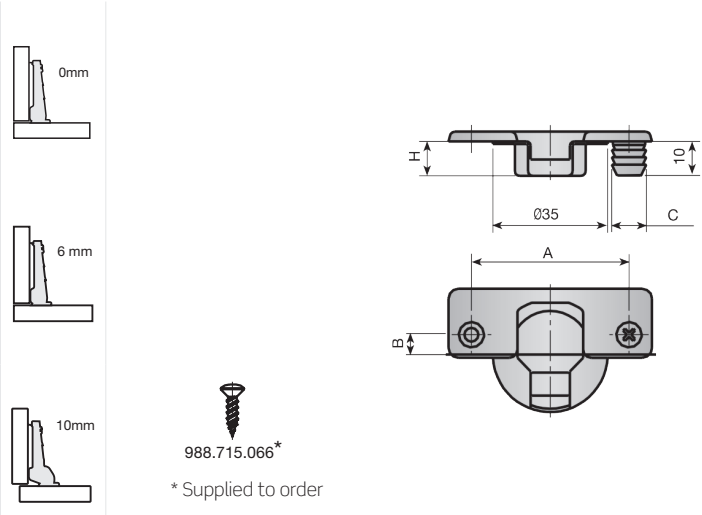
MESUCO 14 rapid

Ø35 cup hinge.
Quick assembly.

Assembly with fail-safe clip, heavy-duty.

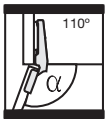
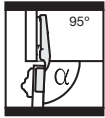

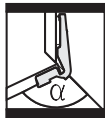
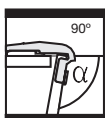


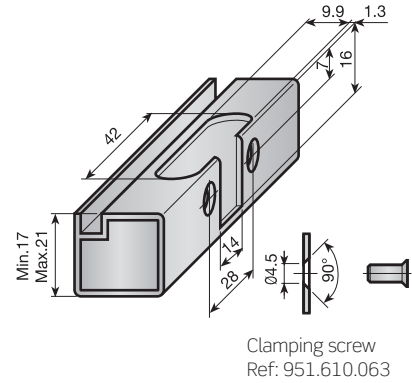
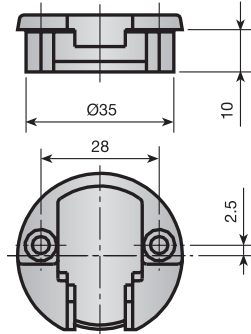
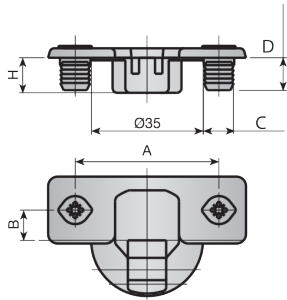
1 HINGE GROUP



α = OPENING ANGLE
H = CUP DEPTH (mm.)

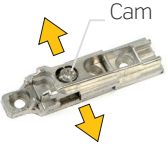
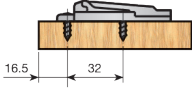
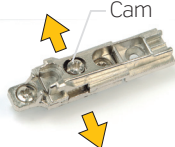
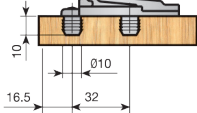
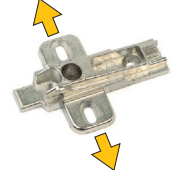
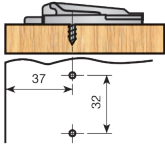
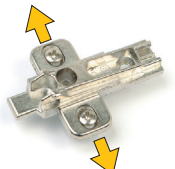
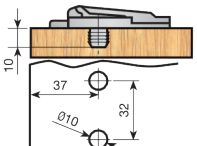
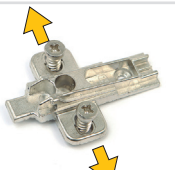
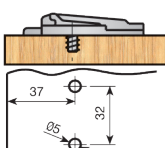
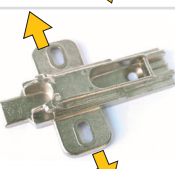
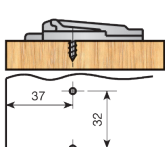
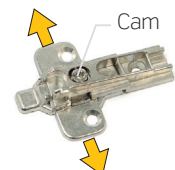
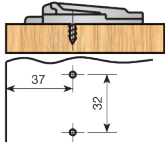
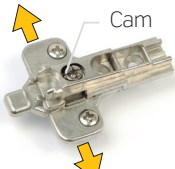
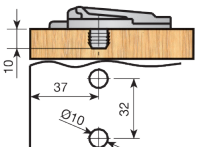
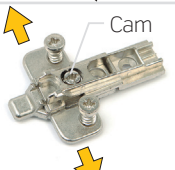
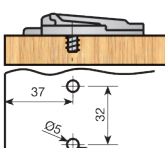
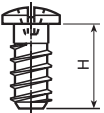

NICKEL

		A: 48, B: 6		A: 45, B: 9.5		A: 52, B: 5.5	
		Screw-fixed	With dowels c: Ø10	Screw-fixed	With dowels c: Ø8	Screw-fixed	With dowels c: Ø10
 <p>$\alpha = 0^\circ \div 110^\circ$ H = 10.5</p>	0mm.	040.040.125	040.041.120	040.060.926	040.069.923	040.070.925	040.071.920
	5mm.	047.140.122	047.141.124	047.160.923	047.169.920	047.170.922	047.171.924
	10mm.	041.040.123	041.041.125	041.060.924	041.069.921	041.070.923	041.071.925
	17mm.	042.140.125	042.141.120	042.160.926	042.169.923	042.170.925	042.171.920
 <p>Large displacement $\alpha = 0^\circ \div 95^\circ$ H = 12.5</p>	0mm.	040.020.013	040.021.015	040.060.016	040.069.013	040.070.015	040.071.010
	10mm.	041.020.011	041.021.013	041.060.014	041.069.011	041.070.013	041.071.015
	17mm.	042.120.013	042.121.015	042.160.016	042.169.013	042.170.015	042.171.010
 <p>$\alpha = 0^\circ \div 172^\circ$ H = 10.5</p>	0mm.	040.020.046	040.021.041	040.060.042	040.069.046	040.070.041	040.071.043
	10mm.	041.020.040	041.021.046	041.060.040	041.069.044	041.070.046	041.071.041
 <p>$\alpha = 45^\circ \div 155^\circ$ H = 10.5</p>	0mm.	044.020.126	044.021.121	044.060.122	044.069.126	044.070.121	044.071.123
 <p>$\alpha = 90^\circ \div 200^\circ$ H = 10.5</p>	0mm.	043.020.121	043.021.123	043.060.124	043.069.121	043.070.123	043.071.125
	10mm.	046.120.126	046.121.121	046.160.122	046.169.126	046.170.121	046.171.123



			NICKEL	
A: 48, B: 6	A: 45, B: 9.5	A: 52, B: 5.5	Glass door hinge Ø35	Hinge for aluminium frames
Expand	Expand	Expand		
040.043.124	040.063.925	040.073.924	040.030.023	090.100.301
047.143.121	047.163.922	047.173.921	047.130.020	090.100.500
041.043.122	041.063.923	041.073.922	041.030.021	090.100.511
042.143.124	042.163.925	042.173.924	042.130.023	090.100.430
040.023.045	040.063.041	040.073.040		
041.023.043	041.063.046	041.073.045		
044.023.125	044.063.121	044.073.120		
043.023.120	043.063.123	043.073.122		
046.123.125	046.163.121	046.173.120		

2 MOUNTING PLATES

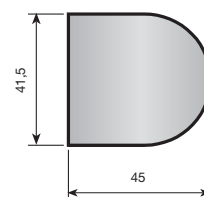
HEIGHT in mm.				2	4	7	9
		Screw-fixed Vertical adjustment ± 1,8 mm excéntrica	Nickel-plated Zamak	083.001.111	083.001.214	083.001.310	
		Knock-in Vertical adjustment ± 1,8 mm excéntrica	Nickel-plated Zamak	083.101.115	083.101.211	083.101.314	
		Screw-fixed Vertical adjustment ± 2 mm	Nickel-plated Zamak	083.203.116	083.203.212	083.203.315	
		Knock-in Vertical adjustment ± 2 mm	Nickel-plated Zamak	083.303.113	083.303.216	083.303.312	
		Pre-mounted euro screw Vertical adjustment ± 2 mm	Nickel-plated Zamak	083.603.111	083.603.214	083.603.310	
		Screw-fixed (WITH CENTERER) Vertical adjustment ± 2 mm	Nickel-plated Zamak	083.503.114			
		Screw-fixed Vertical adjustment ± 1,8 mm excéntrica	Nickel-plated Zamak	083.201.112	083.201.215		083.201.414
		Knock-in Vertical adjustment ± 1,8 mm excéntrica	Nickel-plated Zamak	083.301.116	083.301.212		083.301.411
		Pre-mounted euro screw Vertical adjustment ± 1,8 mm excéntrica	Nickel-plated Zamak	083.601.114	083.601.210		083.601.416
	EURO-SCREW H = 11 - Ref.: 951.211.063 H = 13 - Ref.: 951.213.060 (STANDARD)			 3 ADJUSTMENTS			

3 COVERS

■ Glass door covers

Cover

PA	Silver-polish	351.700.226
PA	Gold-polish	351.700.230
PA	Black	351.700.252



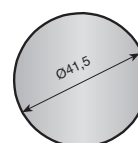
Adaptor

PA		351.710.004
----	--	-------------



Cover

PA	Silver-polish	351.900.220
PA	Gold-polish	351.900.231
PA	Black	351.900.253



Adaptor

PA		351.910.005
----	--	-------------



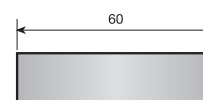
O-ring

PA	White	351.110.001
PA	Brown	351.111.003
PA	Black	351.112.005



■ Hinge arm cover

PA	Black	302.030.024
PA	White	302.030.002
PA	Brown	302.030.013
Zamak	Nickel	302.030.061



Cover for half overlay and partial overlay hinges.

PA	Black	302.040.023
PA	White	302.040.001
PA	Brown	302.040.012



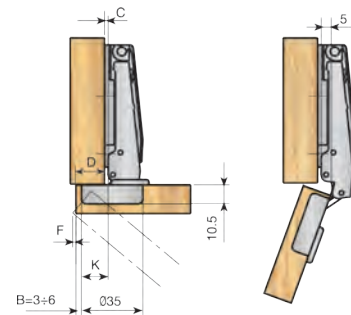
4 TECHNICAL DATA

MESUCO 14 RAPID Opening 110°

Full overlay



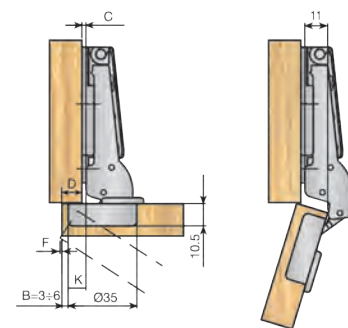
Calculation of the height of the plate
 $C = B + K - D$
 $K = \text{Constant} = 15\text{mm}$



Partial overlay



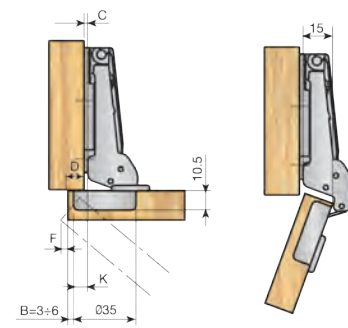
Calculation of the height of the plate
 $C = B + K - D$
 $K = \text{Constant} = 9\text{mm}$



Half overlay



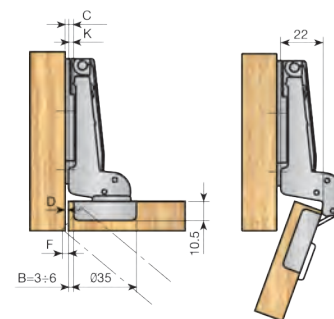
Calculation of the height of the plate
 $C = B + K - D$
 $K = \text{Constant} = 5\text{mm}$



Full inset*



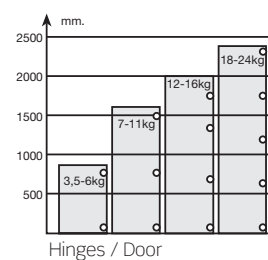
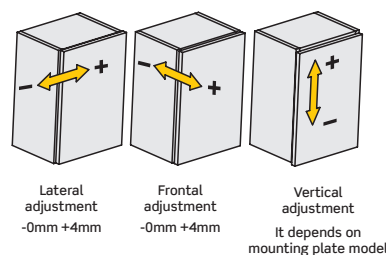
Calculation of the height of the plate
 $C = B + K - D$
 $K = \text{Constant} = -2\text{mm}$



* The position to fix the base has to be moved back a distance equal to the door thickness + 1mm

Lateral door displacement (F).

mm	Door thickness									
	B	16	17	18	19	20	21	22	23	24
3	0,9	1,2	1,6	2	2,5	3,1	3,8	4,5	5,3	
4	0,8	1,1	1,5	1,9	2,4	2,9	3,5	4,2	4,9	
5	0,8	1,1	1,4	1,8	2,3	2,8	3,3	3,9	4,6	
6	0,7	1	1,4	1,7	2,2	2,6	3,1	3,7	4,4	

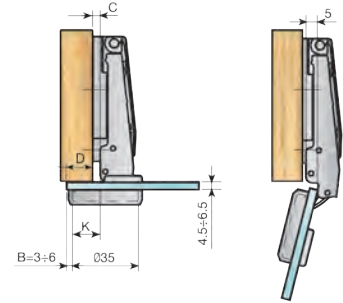


MESUCO 14 RAPID Opening 110° Glass door hinge

Full overlay



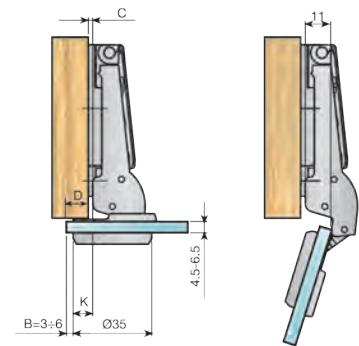
Calculation of the height of the plate
 $C = B + K - D$
 $K = \text{Constant} = 15\text{mm}$



Partial overlay



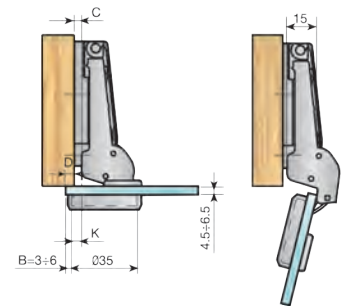
Calculation of the height of the plate
 $C = B + K - D$
 $K = \text{Constant} = 9\text{mm}$



Half overlay



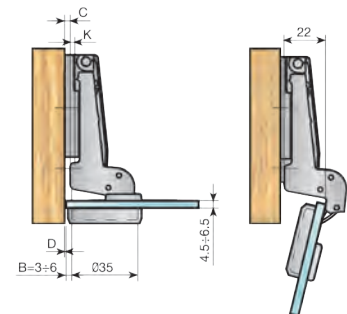
Calculation of the height of the plate
 $C = B + K - D$
 $K = \text{Constant} = 5\text{mm}$



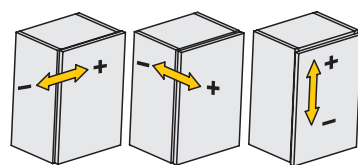
Full inset*



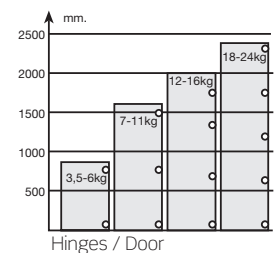
Calculation of the height of the plate
 $C = B + K - D$
 $K = \text{Constant} = -2\text{mm}$



* The position to fix the base has to be moved back a distance equal to the door thickness + 1mm



Lateral adjustment
-0mm +4mm
Frontal adjustment
-0mm +4mm
Vertical adjustment
It depends on mounting plate model

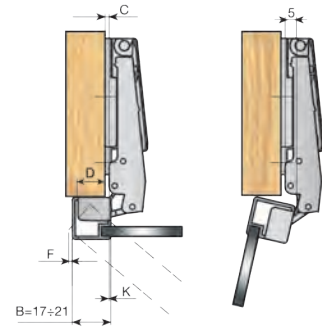


MESUCO 14 RAPID Opening 110° Hinge for aluminium frames

Full overlay



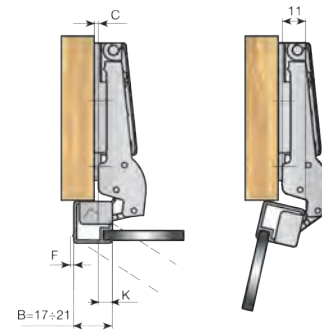
Calculation of the height of the plate
 $C = B - D - K$
 $K = \text{Constant} = 1\text{mm}$



Partial overlay



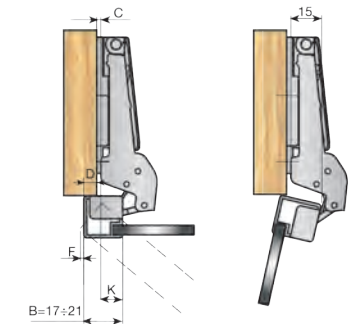
Calculation of the height of the plate
 $C = B - K - D$
 $K = \text{Constant} = 7\text{mm}$



Half overlay



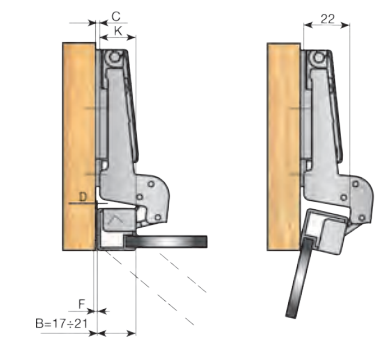
Calculation of the height of the plate
 $C = B - K - D$
 $K = \text{Constant} = 11\text{mm}$



Full inset*



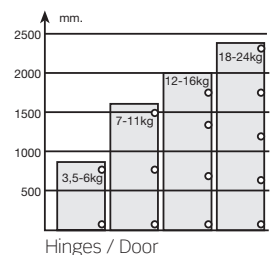
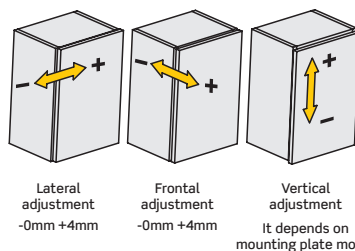
Calculation of the height of the plate
 $C = B + K - D$
 $K = \text{Constant} = 18\text{mm}$



* The position to fix the base has to be moved back a distance equal to the door thickness + 1mm

Lateral door displacement (F).

mm	Profile thickness									
B	16	17	18	19	20	21	22	23	24	
17	1,1	1,5	1,9	2,4	3	3,7	4,5	5,3	6,2	
18	1,1	1,4	1,8	2,3	2,8	3,4	4,1	4,9	5,7	
19	1	1,4	1,7	2,1	2,6	3,2	3,8	4,5	5,3	
20	1	1,3	1,6	2	2,5	3	3,6	4,2	5	
21	0,9	1,2	1,6	2	2,4	2,9	3,4	4	4,7	

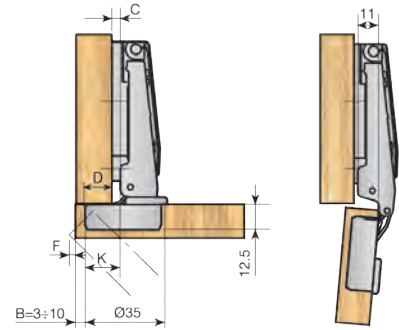


MESUCO 14 RAPID Opening 95° large displacement

Full overlay



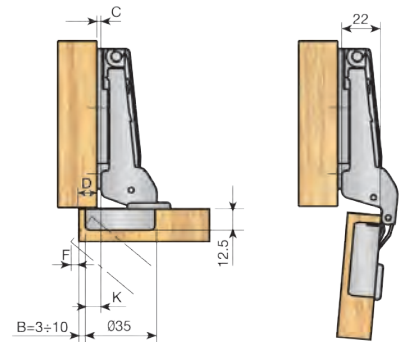
Calculation of the height of the plate
 $C = B + k - D$
 $K = \text{Constant} = 15 \text{ mm}$



Half overlay



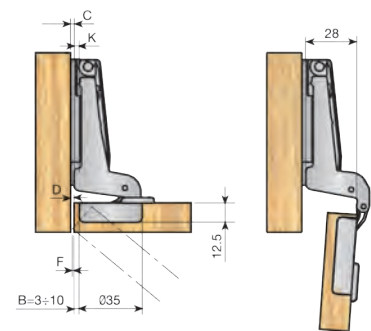
Calculation of the height of the plate
 $C = B + K - D$
 $K = \text{Constant} = 5 \text{ mm}$



Full inset*



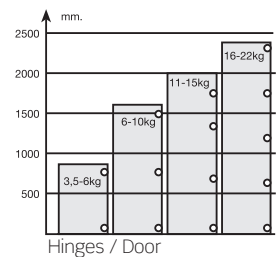
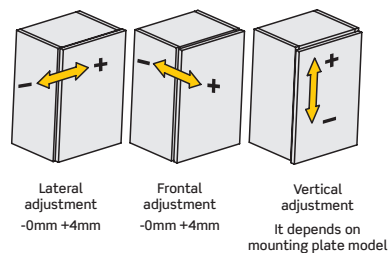
Calculation of the height of the plate
 $C = B + K + D$
 $K = \text{Constant} = -2 \text{ mm}$



* The position to fix the base has to be moved back a distance equal to the door thickness + 1mm

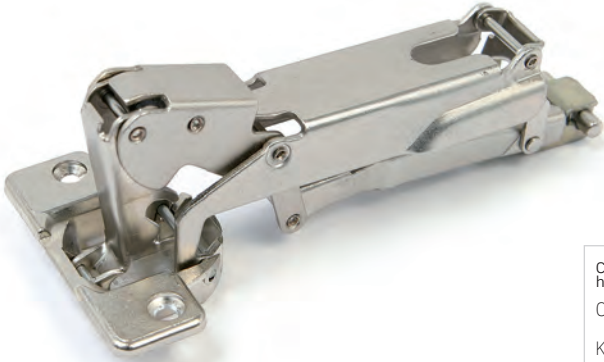
Lateral door displacement (F).

mm	Door thickness								
B	16	18	20	22	25	28	30	32	35
3	0	0	0,2	0,4	0,9	1,5	3	4,5	6,4
4	0	0	0,15	0,35	0,85	1,45	2,5	4,5	5,8
5	0	0	0,1	0,3	0,8	1,4	2	4,2	5,2
6	0	0	0,1	0,25	0,75	1,35	1,9	4	5,1
8	0	0	0	0,2	0,7	1,3	1,8	3,8	5
10	0	0	0	0,2	0,7	1,3	1,8	3,6	5

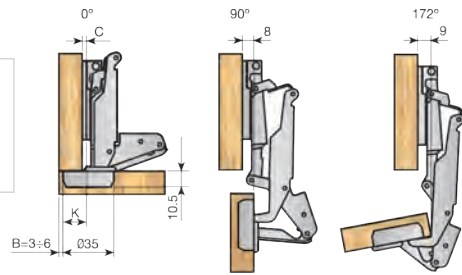


■ **MESUCO 14 RAPID Opening 172°**

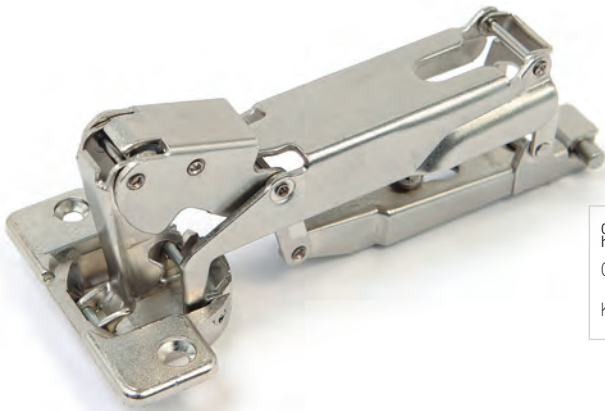
Full overlay



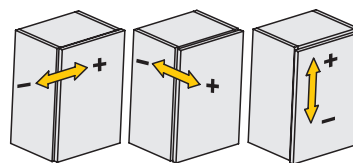
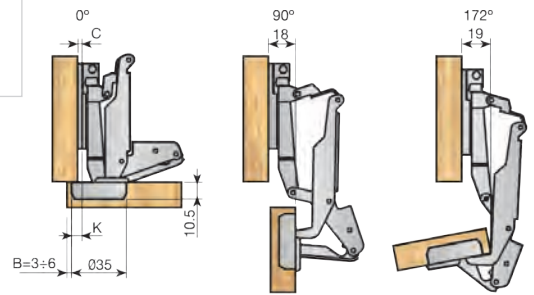
Calculation of the height of the plate
 $C = B + K - D$
 $K = \text{Constant} = 15\text{mm}$



Half overlay



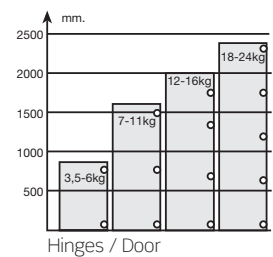
Calculation of the height of the plate
 $C = B + K - D$
 $K = \text{Constant} = 5\text{mm}$



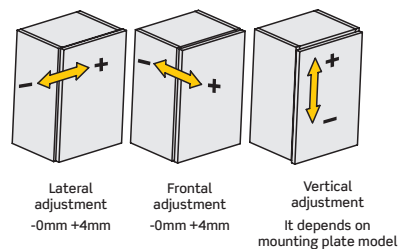
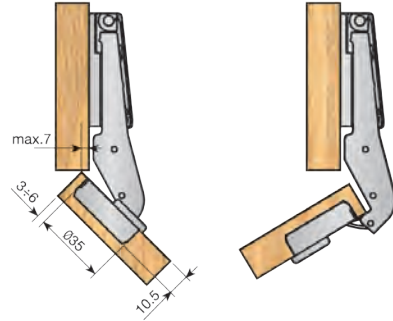
Lateral adjustment
-0mm +4mm

Frontal adjustment
-0mm +4mm

Vertical adjustment
It depends on mounting plate model



■ MESUCO 14 RAPID Opening 45° ÷ 155°

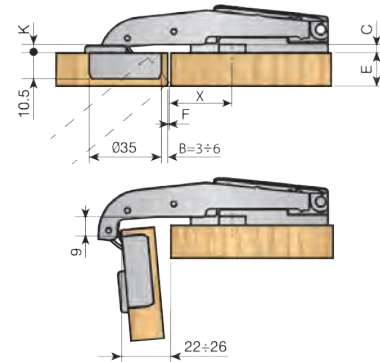


mm.	
2500	18-24kg
2000	c
1500	12-16kg
1000	c
750	7-11kg
500	c
250	3,5-6kg
0	c

Hinges / Door

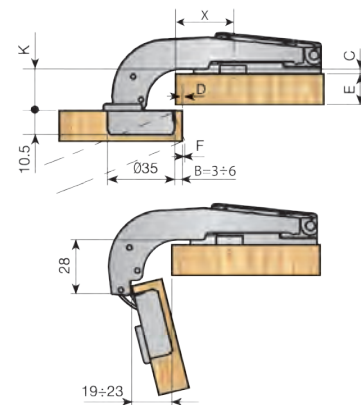
MESUCO 14 RAPID Opening 90° ÷ 200°

Full overlay



Calculation of the height of the plate
 $X = 43 - B - F$
 $K = \text{Constant} = 2\text{mm}$

Half overlay



Calculation of the height of the plate
 $X = 39 - B + D$
 $K = \text{Constant} = 21,5\text{mm}$

Lateral door displacement (F).

mm	Door thickness									
B	16	17	18	19	20	21	22	23	24	
3	0,9	1,2	1,6	2	2,5	3,1	3,8	4,5	5,3	
4	0,8	1,1	1,5	1,9	2,4	2,9	3,5	4,2	4,9	
5	0,8	1,1	1,4	1,8	2,3	2,8	3,3	3,9	4,6	
6	0,7	1	1,4	1,7	2,2	2,6	3,1	3,7	4,4	

