

IMPULSE

Push-latch

- > Opening and closing system for doors without handles, available in a wide range of versions and finishes, to adapt to all needs.
- > The embedded version is offered with two different opening forces, depending on the desired effect or the type of furniture.
- > The magnetic option, together with our reverse-opening MESUCO 143 hinge, enables the door to be perfectly closed.
- > By means of a simple push, IMPULSE allows for the complete opening of doors and drawers.





IMPULSE

Latch retainer.

- > By applying a minimum amount of pressure, the door leaf will open, making handles unnecessary.
- > An embedded version in the cabinet edge or lay-on, exists together with the appropriate base plates.
- > The embedded version is available in different opening leverage strengths depending on the type of furniture or the effect required.
- > The product can be used in the opening of door fronts and handle free drawers.
- > The door leaf opens quickly allowing easy access to the interior.
- > The magnetic version combined with the reverse opening hinge Mesuco 143 allows the doors to be perfectly closed while at the same time, permits at a simple touch the opening of the door.
- > Impulse cannot be used with Indamatic damping as they have opposite functions.

		Hinges Standard Opening	Hinges MESUCO 143 Reverse Opening	Runners Gravity Self-closing	
Embedded	Magnetic	20mm	—	✓	
		40mm	—	✓	
	With stop	20mm	✓	✗	✓
		40mm	✓	✗	✓
Lay-on	Magnetic	20mm	—	✓	
		40mm	—	✓	
	With stop	20mm	✓	✗	✓
		40mm	✓	✗	✓

The push-latch is incompatible with mechanical closing runners.

1	PUSH-LATCH SERIES AND TECHNICAL DATA	14
■	Embedded push-latch Ø10	14
■	Base plate for embedded push-latch Ø10	15
■	Lay-on push-latch	16
■	Base plate for lay-on push-latch	17

1 PUSH-LATCH SERIES

■ Embedded Ø10

Magnetic push-latch Ø10 (1.5 Kg. leverage)

Ejection distance: 20 mm Body length: 55 mm (short)		Ejection distance: 40 mm Body length: 75 mm (long)		800
White RAL 9001	217.320.003	217.340.001		
Grey RAL 7043	217.320.316	217.340.314		

Each reference consists of 1 fitting.

Magnetic push-latch Ø10 (2.25 Kg. leverage)

Ejection distance: 20 mm Body length: 55 mm (short)		Ejection distance: 40 mm Body length: 75 mm (long)		800
White RAL 9001	217.420.000	217.440.005		
Grey RAL 7035	217.420.081	217.440.086		
Grey RAL 7043	217.420.313	217.440.311		

Each reference consists of 1 fitting.

Push-latch Ø10 (1.5 Kg. leverage)

Ejection distance: 20 mm Body length: 55 mm (short)		Ejection distance: 40 mm Body length: 75 mm (long)		800
White RAL 9001	215.218.006	215.238.004		
Grey RAL 7035	215.218.080	215.238.085		
Grey RAL 7043	215.218.312	215.238.310		

Push-latch Ø10 (2.25 Kg. leverage)

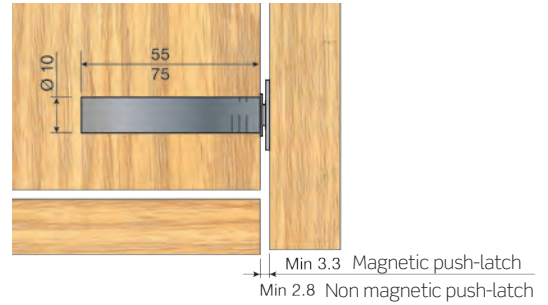
Ejection distance: 20 mm Body length: 55 mm (short)		Ejection distance: 40 mm Body length: 75 mm (long)		800
White RAL 9001	215.518.004	215.838.000		
Grey RAL 7035	215.518.085	215.838.081		
Grey RAL 7043	215.518.310	215.838.313		

Stops

		800
Adhesive stop	215.150.062	
Screw fixed stop	215.000.063	

Screw

		800
Ø3x12 screw	983.050.062	

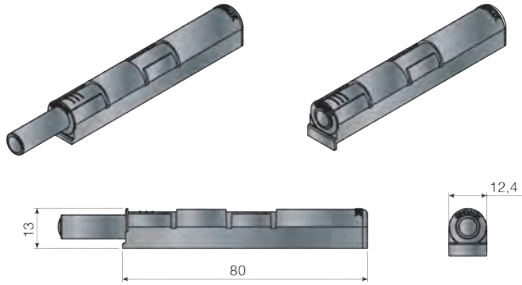


■ Base plate for embedded push-latch Ø10

Screw-fix base plate.

		Without stop	With stop	
White	RAL 9001	214.500.005	214.600.002	
Grey	RAL 7035	214.500.086	214.600.083	100
Grey	RAL 7043	214.500.145	214.600.142	

Screw Ø3x12 pozi, ref. 982.112.036, recommended.



Assembly

Push-latch Ø10 short

Push-latch Ø10 long

Fixing stop

1


2.1

2.2

Regulation


■ Lay-on

Magnetic push-latch (1.5 Kg. leverage)


Length of extension		20mm.	40mm.	
White	RAL 9001	217.520.004	217.540.002	800
Grey	RAL 7040	217.520.310	217.540.315	

Each reference consists of 1 fitting.

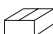
Push-latch (1.5 Kg. leverage)

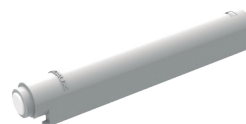
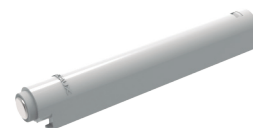
Length of extension		20mm.	40mm.	
White	RAL 9001	217.120.002	217.140.000	800
Black	RAL 9005	217.120.024	217.140.022	
Grey	RAL 7040	217.120.315	217.140.313	

Stops

			
Adhesive stop		215.150.062	800
Screw fixed stop		215.000.063	

Screw

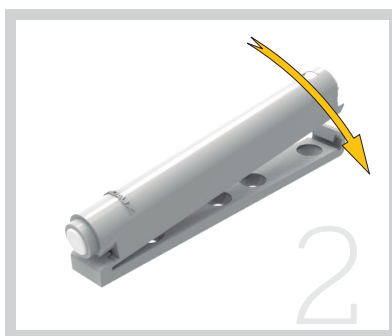
			
Ø3x12 screw		983.050.062	800



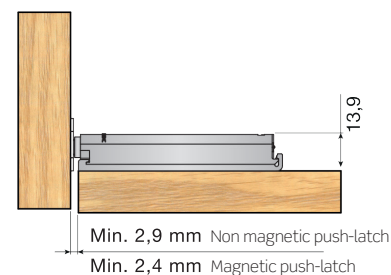
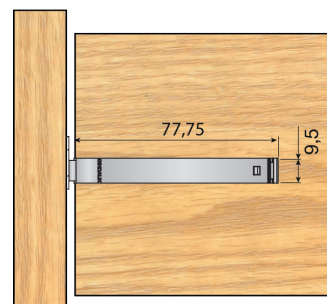
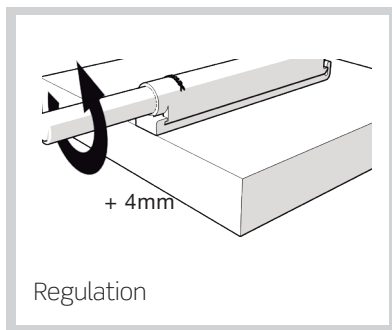
■ Mounting plate fitting



Clip the body to the front of the base plate.



Press the body onto the back of the base plate until fixed.



■ Base plate for lay-on push-latch

Screw-fix base plate with stop.

White	RAL 9001	214.700.006	100
Black	RAL 9005	214.700.021	
Grey	RAL 7040	214.700.312	

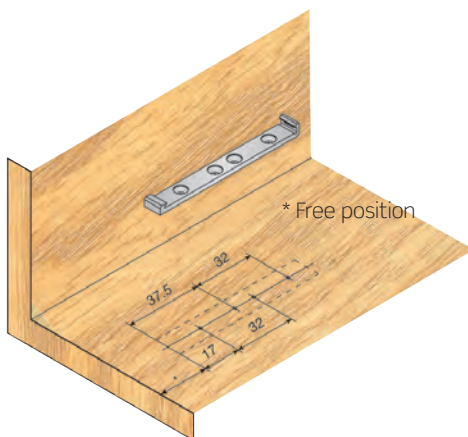


Screw-fix base plate without stop.

White	RAL 9001	214.800.003	100
Black	RAL 9005	214.800.025	
Grey	RAL 7040	214.800.316	



Screw-fix base plate without stop



Screw-fix base plate with stop

