

MESUCO 14

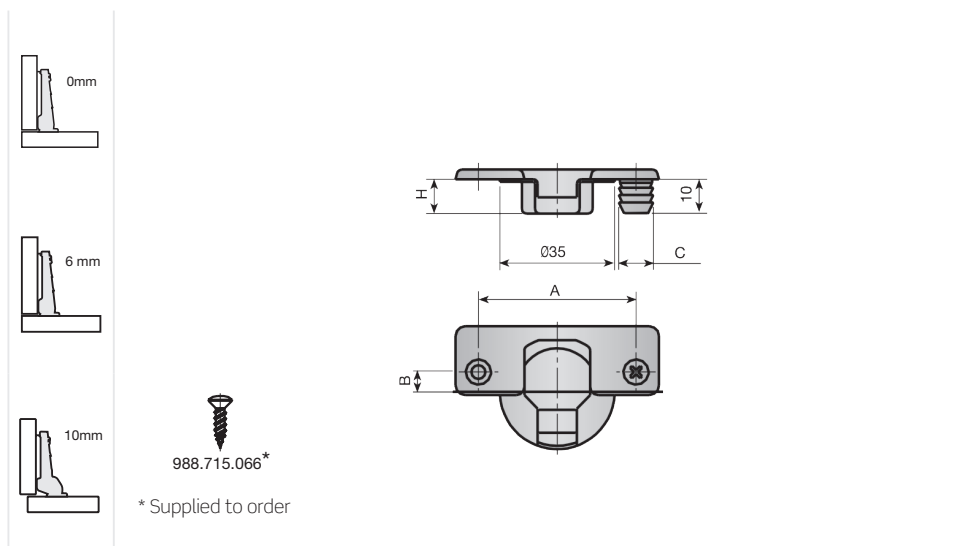
Ø35 cup hinge.
“Slide on” assembly.

Hinge for heavy-duty use.

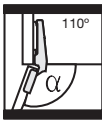
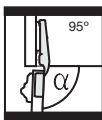

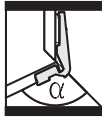
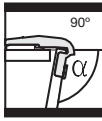
Minimum drilling depth: 10.5 mm.

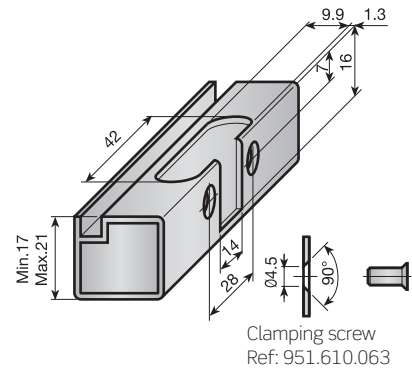
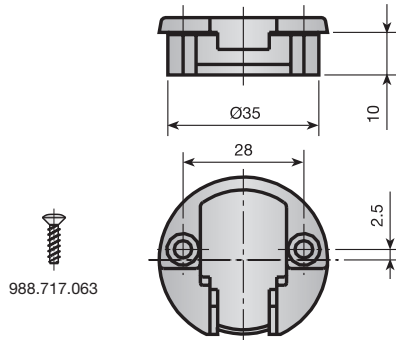
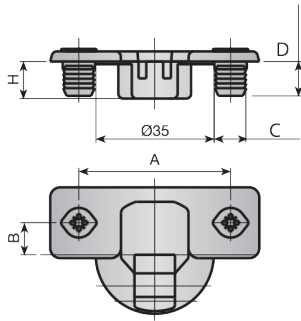


1 HINGE GROUP




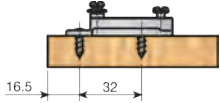

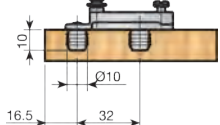

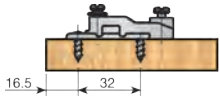

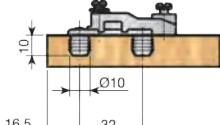

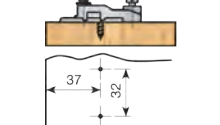

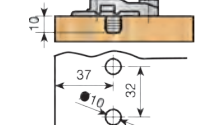
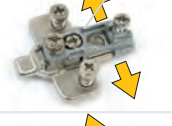
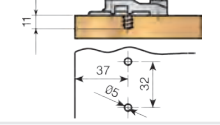

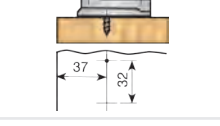

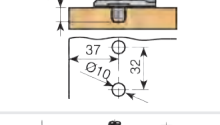

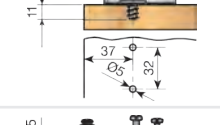

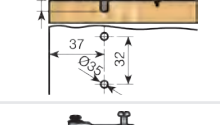
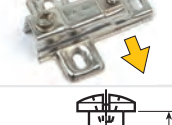
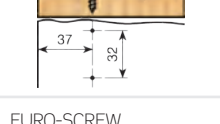
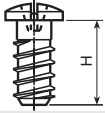

NICKEL

		A: 48, B: 6		A: 45, B: 9.5		A: 52, B: 5.5	
		Screw-fixed	With dowels c:Ø10	Screw-fixed	With dowels c:Ø8	Screw-fixed	With dowels c:Ø10
 <p>$\alpha = 0^\circ \div 110^\circ$ H = 10.5</p>	0mm.	030.040.124	030.041.126	030.060.925	030.069.922	030.070.924	030.071.926
	6mm.	037.140.121	037.141.123	037.160.922	037.169.926	037.170.921	037.171.923
	10mm.	031.040.122	031.041.124	031.060.923	031.069.920	031.070.922	031.071.924
	17mm.	032.140.124	032.141.126	032.160.925	032.169.922	032.170.924	032.171.926
 <p>Large displacement $\alpha = 0^\circ \div 95^\circ$ H = 12.5</p>	0mm.	030.020.012	030.021.014	030.060.015	030.069.012	030.070.014	030.071.016
	10mm.	031.020.010	031.021.012	031.060.013	031.069.010	031.070.012	031.071.014
	17mm.	032.120.012	032.121.014	032.160.015	032.169.012	032.170.014	032.171.016
 <p>$\alpha = 0^\circ \div 172^\circ$ H = 10.5</p>	0mm.	030.020.045	030.021.040	030.060.041	030.069.045	030.070.040	030.071.042
	10mm.	031.020.043	031.021.045	031.060.046	031.069.043	031.070.045	031.071.040
 <p>$\alpha = 45^\circ \div 155^\circ$ H = 10.5</p>	0mm.	034.020.125	034.021.120	034.060.121	034.069.125	034.070.120	034.071.122
 <p>$\alpha = 90^\circ \div 200^\circ$ H = 10.5</p>	0mm.	033.020.120	033.021.122	033.060.123	033.069.120	033.070.122	033.071.124
	10mm.	036.120.125	036.121.120	036.160.121	036.169.125	036.170.120	036.171.122



NICKEL			NICKEL	NICKEL
A: 48, B: 6	A: 45, B: 9.5	A: 52, B: 5.5	Glass door hinge Ø35	Hinge for aluminium frames
Expand	Expand	Expand		
030.043.123	030.063.924	030.073.923	030.030.022	390.848.732
037.143.120	037.163.921	037.173.920	037.130.026	390.855.894
031.043.121	031.063.922	031.073.921	031.030.020	390.855.452
032.143.123	032.163.924	032.173.923	032.130.022	390.855.566
030.023.044	030.063.040	030.073.046		
031.023.042	031.063.045	031.073.044		
034.023.124	034.063.120	034.073.126		
033.023.126	033.063.122	033.073.121		
036.123.124	036.163.120	036.173.126		

2 MOUNTING PLATES

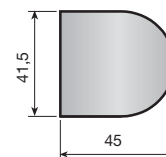
height of the plate in mm.			0	2	4	7
		Screw-fixed Without vertical adjustment	Nickel-plated Zamak		082.000.111	
		Knock-in Without vertical adjustment	Nickel-plated Zamak		082.100.115	
		Screw-fixed $\pm 1,8$ Eccentric	Nickel-plated Zamak	082.001.010	082.001.113	082.001.216
		Knock-in $\pm 1,8$ Eccentric	Nickel-plated Zamak	082.101.014	082.101.110	082.101.213
		Screw-fixed $\pm 1,8$ Eccentric	Nickel-plated Zamak	082.201.011	082.201.114	082.201.313
		Knock-in $\pm 1,8$ Eccentric	Nickel-plated Zamak	082.301.015	082.301.111	082.301.310
		Pre-mounted euro screw $\pm 1,8$ Eccentric	Nickel-plated Zamak	082.601.013	082.601.116	082.601.315
		Screw-fixed ± 2 Vertical adjustment	Nickel-plated Zamak	082.203.015	082.203.111	
		Knock-in ± 2 Vertical adjustment	Nickel-plated Zamak	082.303.012	082.303.115	082.303.211
		Pre-mounted euro screw $\pm 1,5$ Vertical adjustment	Nickel-plated Zamak	082.603.010	082.603.113	
		Screw-fixed (WITH CENTERER) ± 3 Vertical adjustment	Nickel-plated steel		082.553.122	082.553.225
		Screw-fixed ± 2 Vertical adjustment	Nickel-plated steel		082.253.124	
	EURO-SCREW H = 11 - Ref.: 951.211.063 H = 13 - Ref.: 951.213.060 (STANDARD)					
				3 ADJUSTMENTS		

3 COVERS

■ Glass door covers

Cover

PA	Silver-polish	351.700.226
PA	Gold-polish	351.700.230
PA	Black	351.700.252



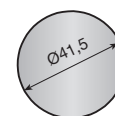
Adaptor

PA	351.710.004
----	-------------



Cover

PA	Silver-polish	351.900.220
PA	Gold-polish	351.900.231
PA	Black	351.900.253



Adaptor

PA	351.910.005
----	-------------



O-ring

PA	White	351.110.001
PA	Brown	351.111.003
PA	Black	351.112.005



■ Hinge arm cover

PA	White	302.020.003
PA	Brown	302.020.014
PA	Black	302.020.025



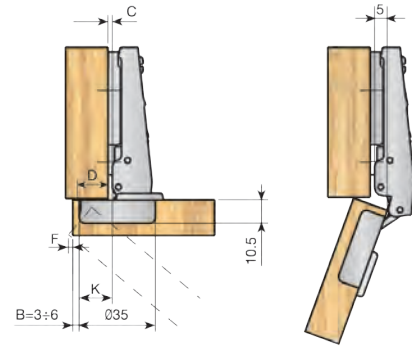
4 TECHNICAL DATA

Mesuco 14 Opening 110°

Full overlay



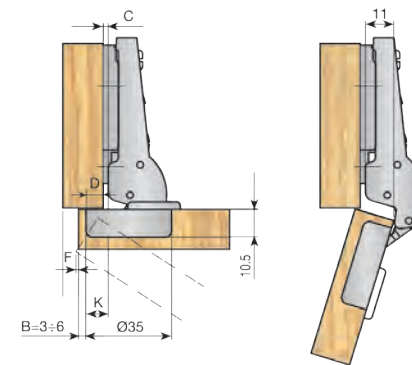
Calculation of the height of the plate
 $C = B + K - D$
 $K = \text{Constant} = 15\text{mm}$



Partial overlay



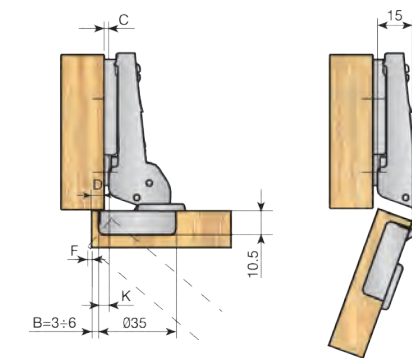
Calculation of the height of the plate
 $C = B + K - D$
 $K = \text{Constant} = 9\text{mm}$



Half overlay



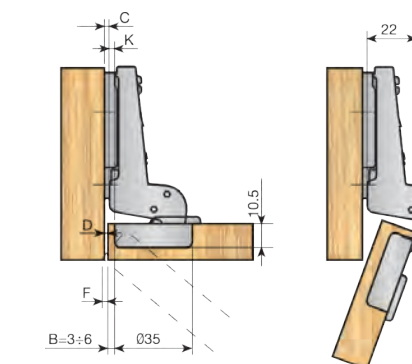
Calculation of the height of the plate
 $C = B + K - D$
 $K = \text{Constant} = 5\text{mm}$



Full inset*



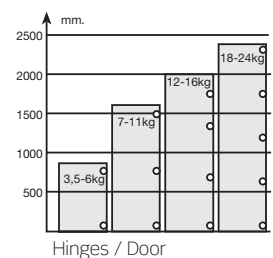
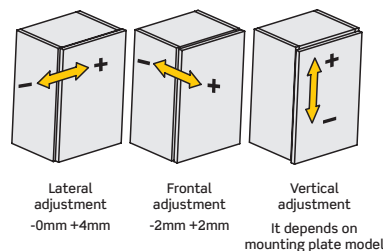
Calculation of the height of the plate
 $C = B + K + D$
 $K = \text{Constant} = -2\text{mm}$



* The position to fix the base has to be moved back a distance equal to the door thickness + 1mm

Lateral door displacement (F).

mm	Door thickness								
B	16	17	18	19	20	21	22	23	24
3	0,9	1,2	1,6	2	2,5	3,1	3,8	4,5	5,3
4	0,8	1,1	1,5	1,9	2,4	2,9	3,5	4,2	4,9
5	0,8	1,1	1,4	1,8	2,3	2,8	3,3	3,9	4,6
6	0,7	1	1,4	1,7	2,2	2,6	3,1	3,7	4,4

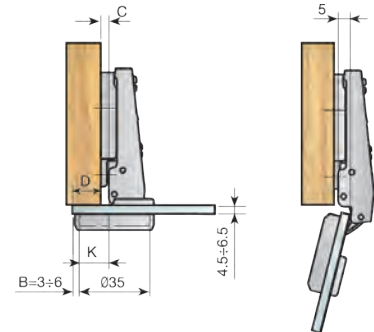


■ Mesuco 14 Opening 110° Glass door hinge

Full overlay



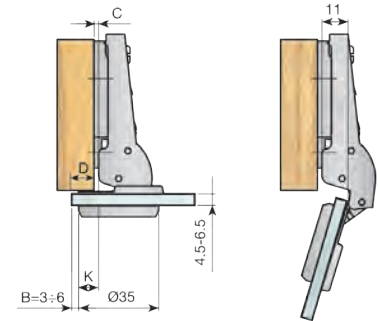
Calculation of the height of the plate
 $C = B + K - D$
 K = Constant = 15mm



Partial overlay



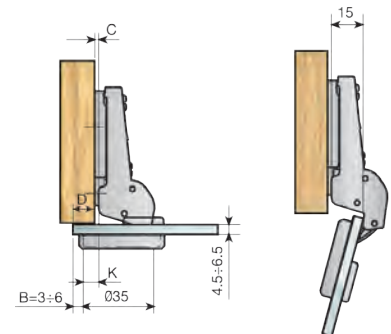
Calculation of the height of the plate
 $C = B + K - D$
 K = Constant = 9mm



Half overlay



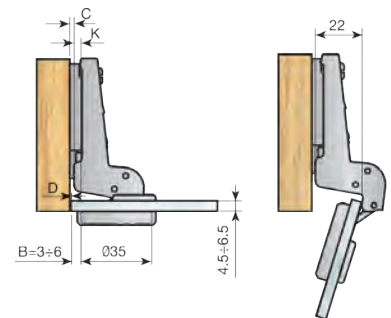
Calculation of the height of the plate
 $C = B + K - D$
 K = Constant = 5mm



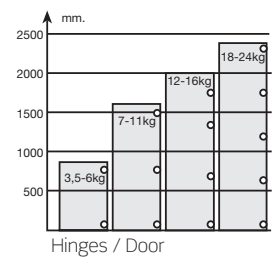
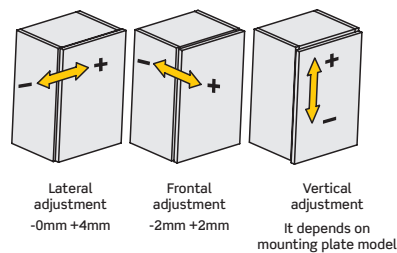
Full inset*



Calculation of the height of the plate
 $C = B + K + D$
 K = Constant = -2mm



* The position to fix the base has to be moved back a distance equal to the door thickness + 1mm

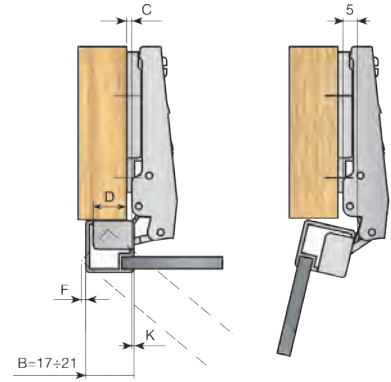


Mesuco 14 Opening 110° for aluminium frames

Full overlay



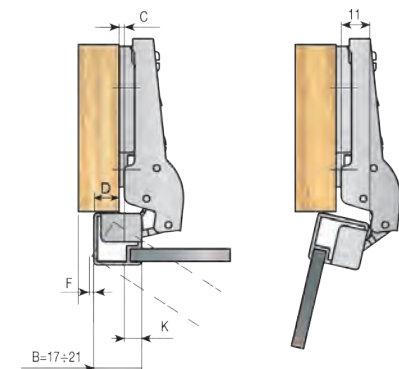
Calculation of the height of the plate
 $C = B - D - K$
 $K = \text{Constant} = 1\text{mm}$



Partial overlay



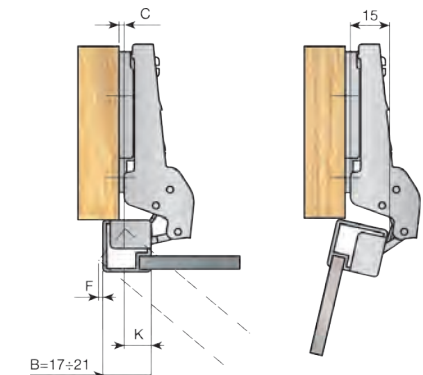
Calculation of the height of the plate
 $C = B - D - K$
 $K = \text{Constant} = 7\text{mm}$



Half overlay



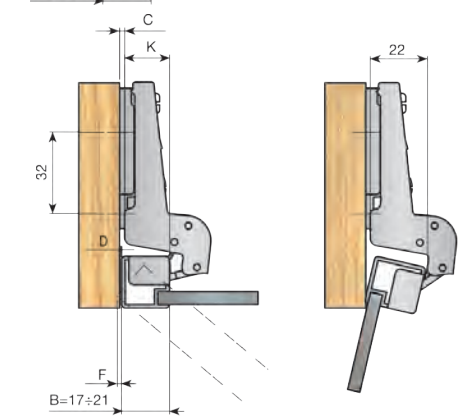
Calculation of the height of the plate
 $C = B - D - K$
 $K = \text{Constant} = 11\text{mm}$



Full inset*



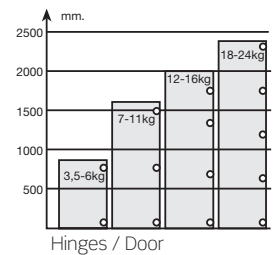
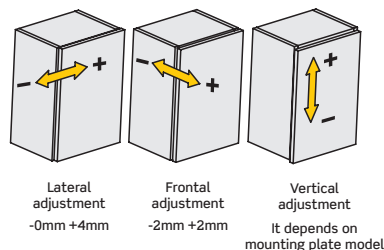
Calculation of the height of the plate
 $C = B + D - K$
 $K = \text{Constant} = 18\text{mm}$



* The position to fix the base has to be moved back a distance equal to the door thickness + 1mm

Lateral door displacement (F).

mm	Door thickness									
B	16	17	18	19	20	21	22	23	24	
17	1.1	1.5	1.9	2.4	3	3.7	4.5	5.3	6.2	
18	1.1	1.4	1.8	2.3	2.8	3.4	4.1	4.9	5.7	
19	1	1.4	1.7	2.1	2.6	3.2	3.8	4.5	5.3	
20	1	1.3	1.6	2	2.5	3	3.6	4.2	5	
21	0.9	1.2	1.6	2	2.4	2.9	3.4	4	4.7	

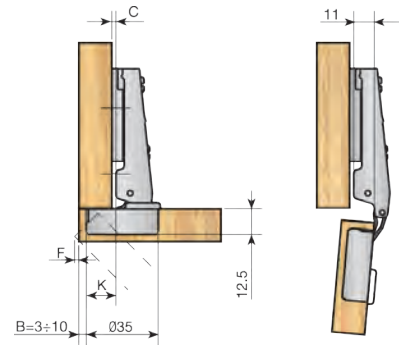


Mesuco 14 Opening 95° large displacement

Full overlay



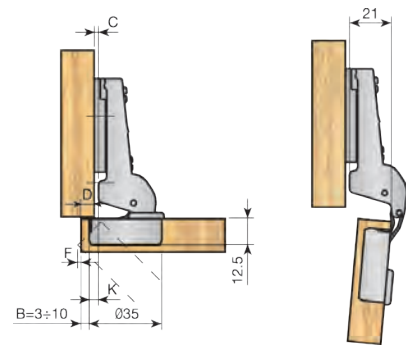
Calculation of the height of the plate
 $C = B + K - D$
 $K = \text{Constant} = 15\text{mm}$



Half overlay



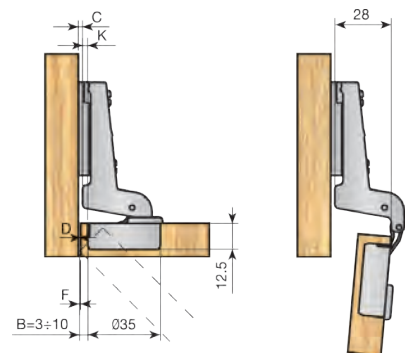
Calculation of the height of the plate
 $C = B + K - D$
 $K = \text{Constant} = 5\text{mm}$



Full inset*



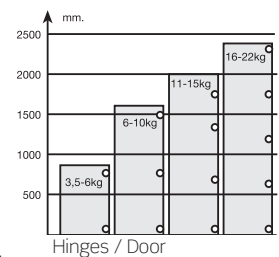
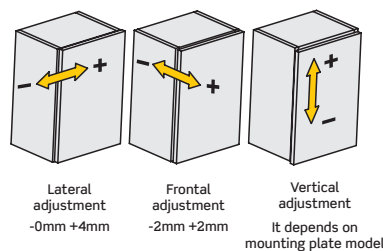
Calculation of the height of the plate
 $C = B + K + D$
 $K = \text{Constant} = -2\text{mm}$



* The position to fix the base has to be moved back a distance equal to the door thickness + 1mm

Lateral door displacement (F).

mm	Door thickness									
B	16	18	20	22	25	28	30	32	35	
3	0	0	1,2	0,4	0,9	1,5	3	4,5	6,4	
4	0	0	1,15	0,35	0,85	1,45	2,5	4,5	5,8	
5	0	0	0,1	0,3	0,8	1,4	2	4,2	5,2	
6	0	0	0,1	0,25	0,75	1,35	1,9	4	5,1	
8	0	0	0	0,2	0,7	1,3	1,8	3,8	5	
10	0	0	0	0,2	0,7	1,3	1,8	3,6	5	

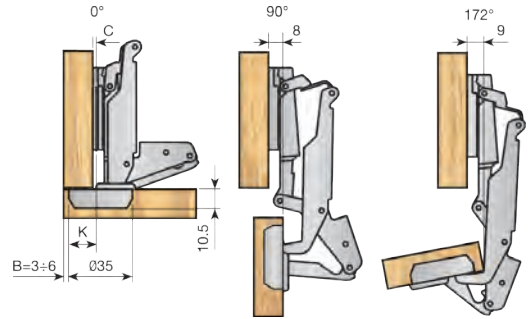


Mesuco 14 Opening 172°

Full overlay



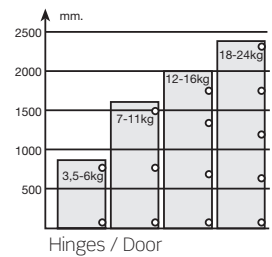
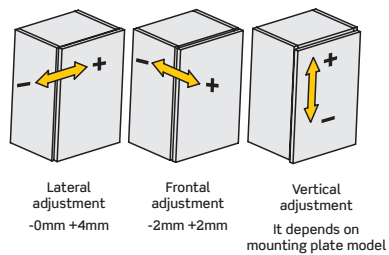
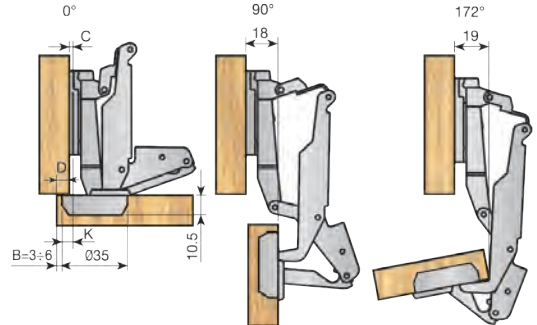
Calculation of the height of the plate
 $C = B + K - D$
 $K = \text{Constant} = 15\text{mm}$



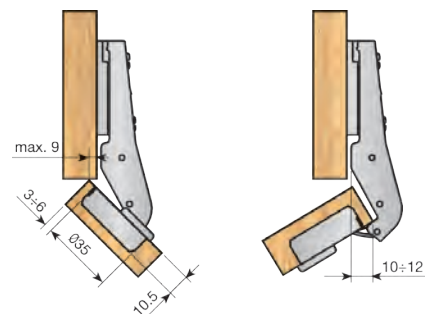
Half overlay



Calculation of the height of the plate
 $C = B + K - D$
 $K = \text{Constant} = 5\text{mm}$

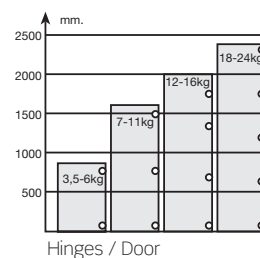
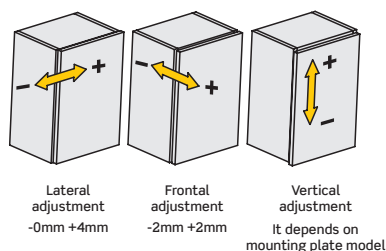


■ Mesuco 14 Opening 45° ÷ 155



Lateral door displacement (F).

mm	Door thickness								
B	16	17	18	19	20	21	22	23	24
3	0,9	1,2	1,6	2	2,5	3,1	3,8	4,5	5,3
4	0,8	1,1	1,5	1,9	2,4	2,9	3,5	4,2	4,9
5	0,8	1,1	1,4	1,8	2,3	2,8	3,3	3,9	4,6
6	0,7	1	1,4	1,7	2,2	2,6	3,1	3,7	4,4

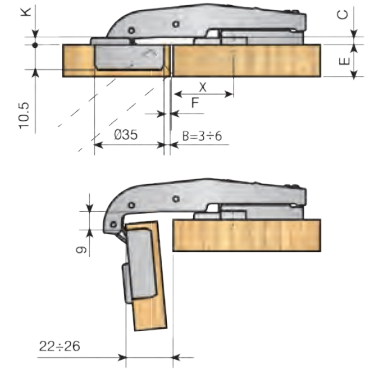


■ Mesuco 14 Opening 90° ÷ 200°

Full overlay



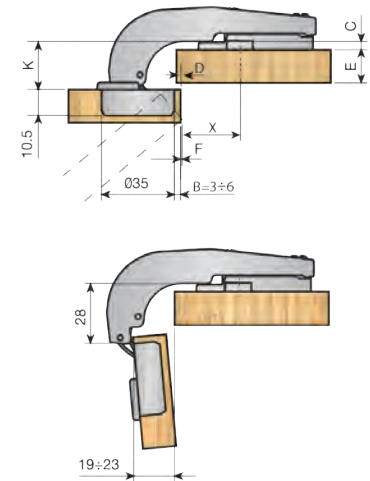
Mounting plate's drilling position calculation
 $X = 43 - B - F$
 $K = \text{Constant} = 2\text{mm}$



Half overlay



Mounting plate's drilling position calculation
 $X = 39 - B + D$
 $K = \text{Constant} = 21,5\text{mm}$



Lateral door displacement (F).

mm	Door thickness									
B	16	17	18	19	20	21	22	23	24	
3	0,9	1,2	1,6	2	2,5	3,1	3,8	4,5	5,3	
4	0,8	1,1	1,5	1,9	2,4	2,9	3,5	4,2	4,9	
5	0,8	1,1	1,4	1,8	2,3	2,8	3,3	3,9	4,6	
6	0,7	1	1,4	1,7	2,2	2,6	3,1	3,7	4,4	

