

KOMPLET

Concealed runners

This is a fully extracting telescopic runner capable of supporting weights of up to 30Kg and which guarantees a smooth and silent opening and closing movement.

This solution is fitted with the latest version of the INDAmatic damper and allows three types of adjustment: height, lateral and depth. The aim of this runner is to offer furniture manufacturers an efficient cost option for converting furniture with partial extraction into full extraction items.

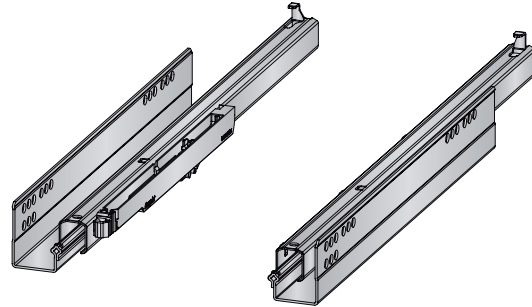


1 KOMPLET RUNNERS: FULL EXTENSION

■ Gradual Soft-Closing. Clip mounting

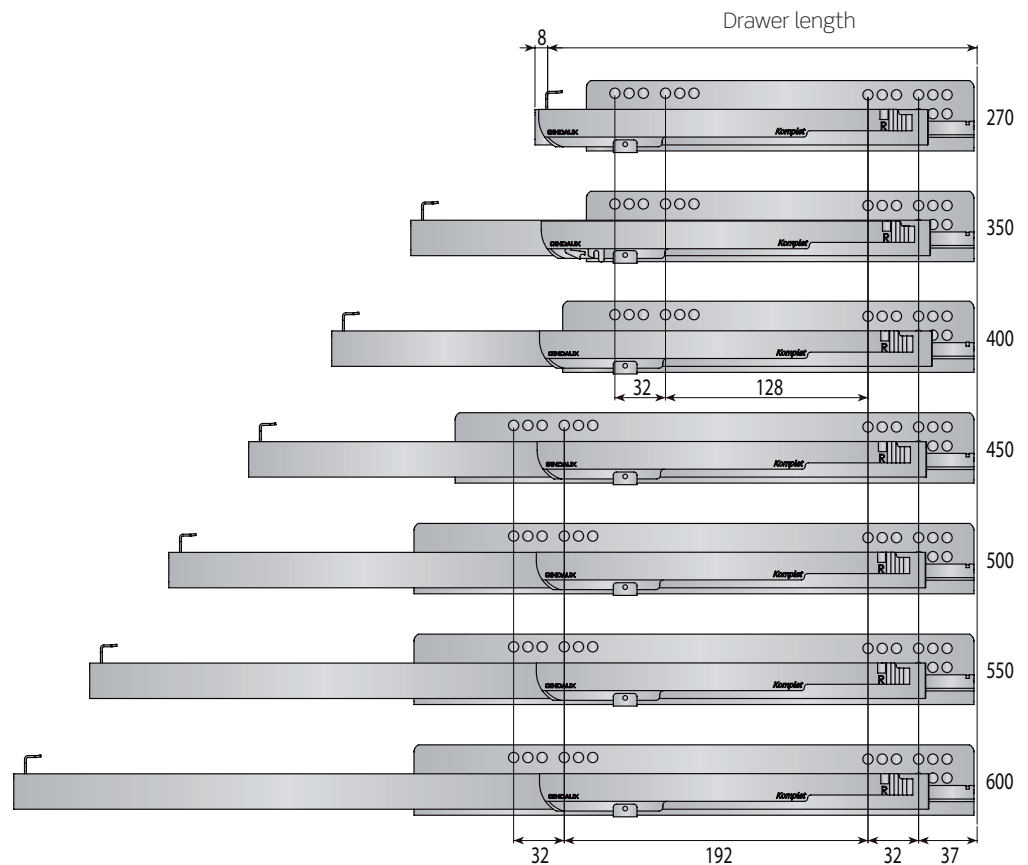
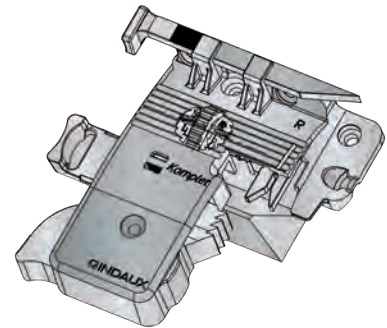
Full extension, soft-closing. Clip-mounting. INDAmatic

Drawer length	Reference	
270	739.027.030	20
300	739.030.036	
350	739.035.032	
400	739.040.035	
450	739.045.031	10
500	739.050.034	
550	739.055.030	
600	739.060.033	



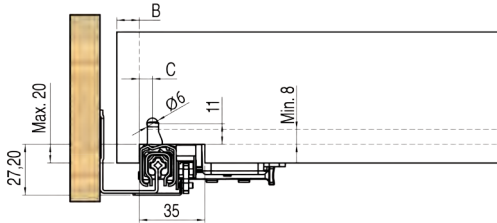
Front fixing bracket

	Set	
Without adjustment	739.500.311	20
With height adjustment	739.510.310	
With height and lateral adjustment	739.520.316	
With height, lateral and depth adjustment	739.530.315	

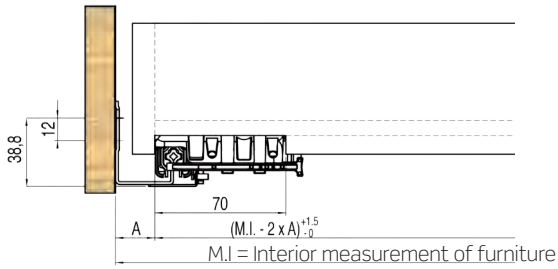


■ Drilling pattern

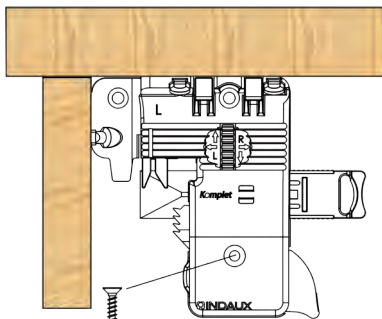
Back



Front



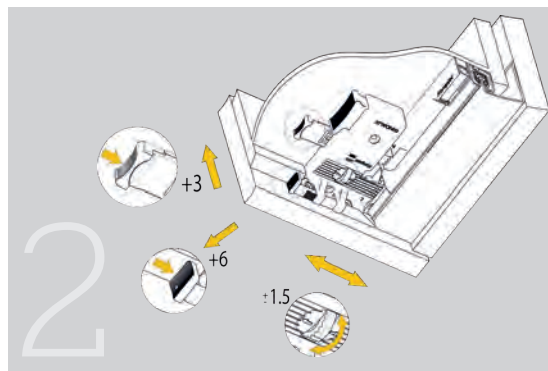
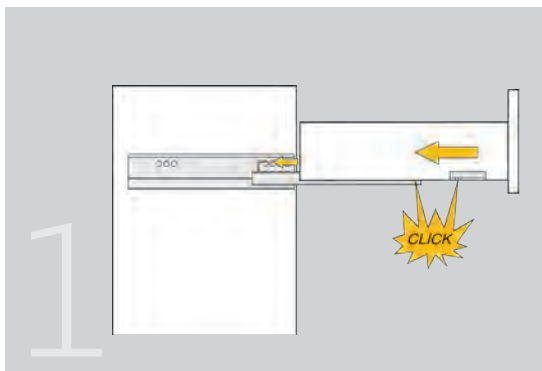
A	B	C	Adjustment
21	17 (max)	7	Limited lateral adjustment
19,5	14 (max)	8,5	Lateral adjustment ±1.5



Flat head: Ø 3.5x20 Screw 982.220.035

For other holes: Cylindric head
 Ø 3.7x16 Screw 980.716.030

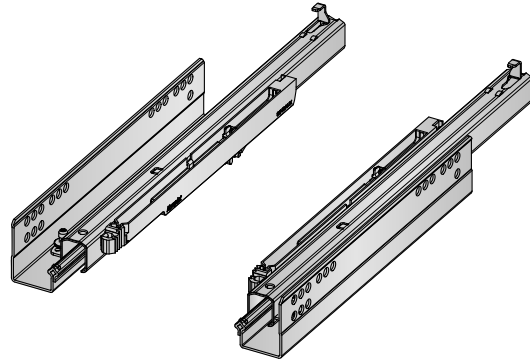
Assembly & Adjustment



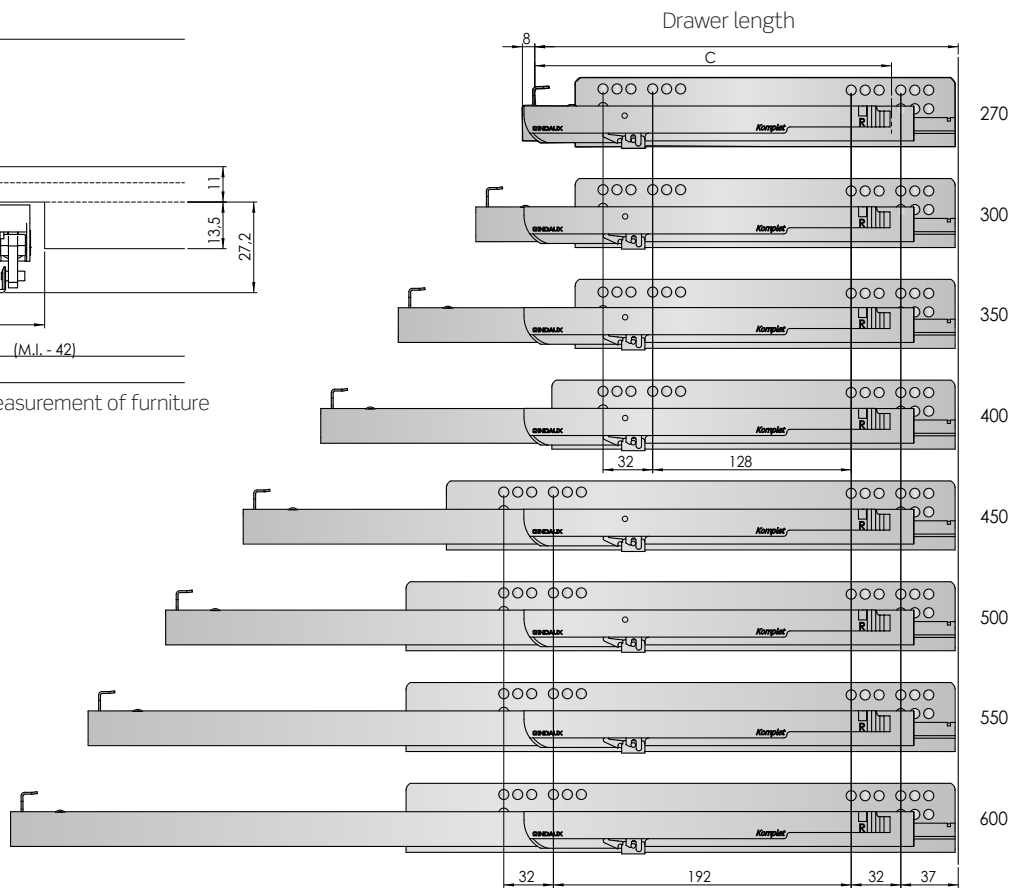
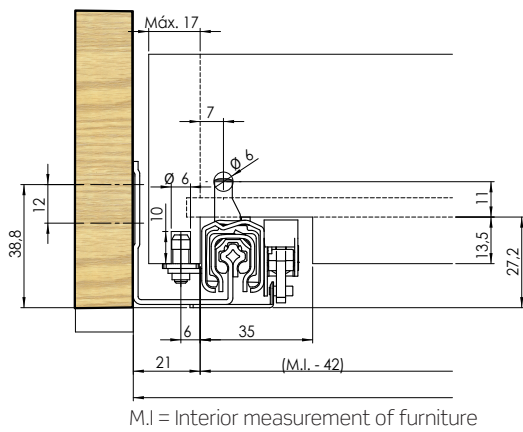
■ Gradual Soft-Closing. Clip mounting

Full extension, gradual soft-closing. Pin mounting.

Drawer length	Reference	C
270	739.127.034	230
300	739.130.033	260
350	739.135.036	310
400	739.140.032	360
450	739.145.035	410
500	739.150.031	460
550	739.155.034	510
600	739.160.030	560



■ Drilling pattern



Assembly & Adjustment

